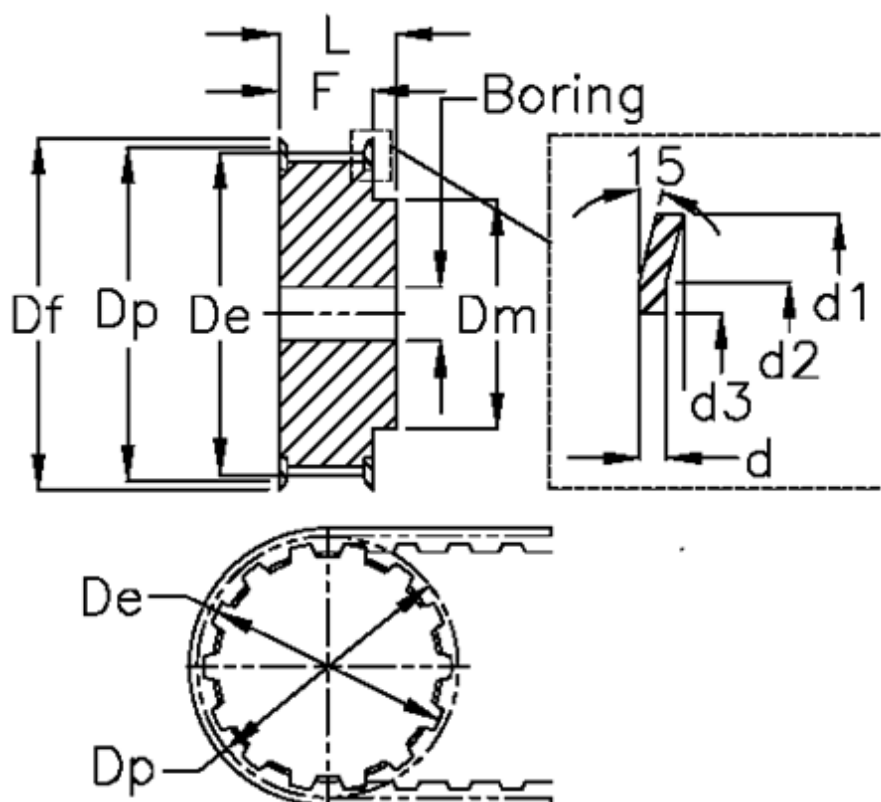


Article number: 60415347024

Description: Timing Belt Pulley 47 T10 24/2

## Measures



Belt width = - 32 mm	Dp	= 76.55
d = 1	F	= 37
d1 = 83	Flange type	= F29
d2 = 78	L	= 47
d3 = 68	Pre-drilled	= 12
De = 74.55	Tooth number	= 24
Df = 83	Type	= T10
Dm = 58	Weight	= 0.475